

The  
United  
States  
of  
America

The Commissioner of  
Patents and Trademarks

*Has received an application for a new, original, and ornamental design for an article of manufacture. The title and description of the design are enclosed. The requirements of law have been complied with, and it has been determined that a patent on the design shall be granted under the law.*

*Therefore, this*

United States Patent

*Grants to the person(s) having title to this patent the right to exclude others from making, using, offering for sale, or selling the design throughout the United States of America, or importing the design into the United States of America for the term of fourteen years from the date of grant of this patent.*



*J. Todd Johnson*

*Acting Commissioner of Patents and Trademarks*

*Ollie M. Person*

*Attest*



**NOTICE**

*No maintenance fees are required in design patents.*



US00D414064S

# United States Patent [19]

[11] Patent Number: Des. 414,064

Shafik

[45] Date of Patent: \*\* Sep. 21, 1999

[54] TOILET ACCESSORY KIT

[76] Inventor: Aasef M. Shafik, 5408 Carlin Spring Rd., Arlington, Va. 22203

[\*\*] Term: 14 Years

[21] Appl. No.: 29/084,360

[22] Filed: Feb. 27, 1998

[51] LOC (6) Cl. .... 07-07

[52] U.S. Cl. .... D6/525; D6/551

[58] Field of Search ..... D6/524, 525, 551; D3/315, 201, 205; 211/13.1, 60.1, 65, 69.1

2,539,838	1/1951	Hudley .
2,844,826	7/1958	Cheiten .
3,021,532	2/1962	Gross .
3,429,474	2/1969	Cann .
4,008,933	2/1977	Wanek .
4,033,650	7/1977	Alissandratos .
4,432,451	2/1984	Hooser .
4,458,368	7/1984	Webb .
4,831,669	5/1989	Edwards .
5,099,527	3/1992	Roose .
5,353,442	10/1994	Rotter .
5,456,356	10/1995	Kurzawa .

Primary Examiner—Brian N. Vinson  
Attorney, Agent, or Firm—Dennis H. Lambert, Esq.

[56] References Cited

U.S. PATENT DOCUMENTS

D. 161,014	11/1950	Gerson .	
D. 264,782	6/1982	Thompson	..... D6/551
D. 272,874	3/1984	Cohen .	
D. 341,973	12/1993	Gerstmar	..... D6/524 X
D. 356,893	4/1995	Conmy .	
D. 385,136	10/1997	Gutke	..... D6/524
1,758,962	5/1930	Miller .	
2,066,773	1/1937	Felice .	
2,423,292	7/1947	Brown .	
2,441,697	5/1948	Gage .	
2,464,085	3/1949	Hess .	

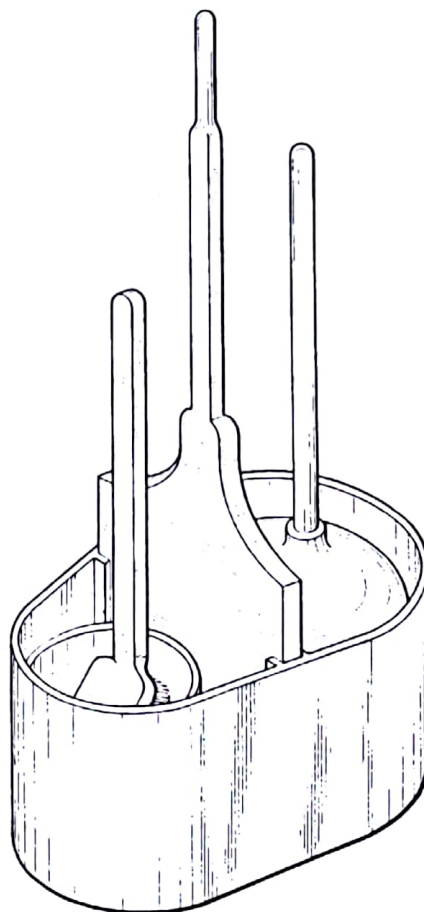
[57] CLAIM

I claim the ornamental design for a toilet accessory kit, as shown and described.

DESCRIPTION

FIG. 1 is a front, top and side perspective view of the toilet accessory kit embodying the design of the present invention. FIG. 2 is a right side elevational view thereof. FIG. 3 is a left side elevational view thereof. FIG. 4 is a top plan view thereof; and, FIG. 5 is a bottom plan view thereof.

1 Claim, 2 Drawing Sheets



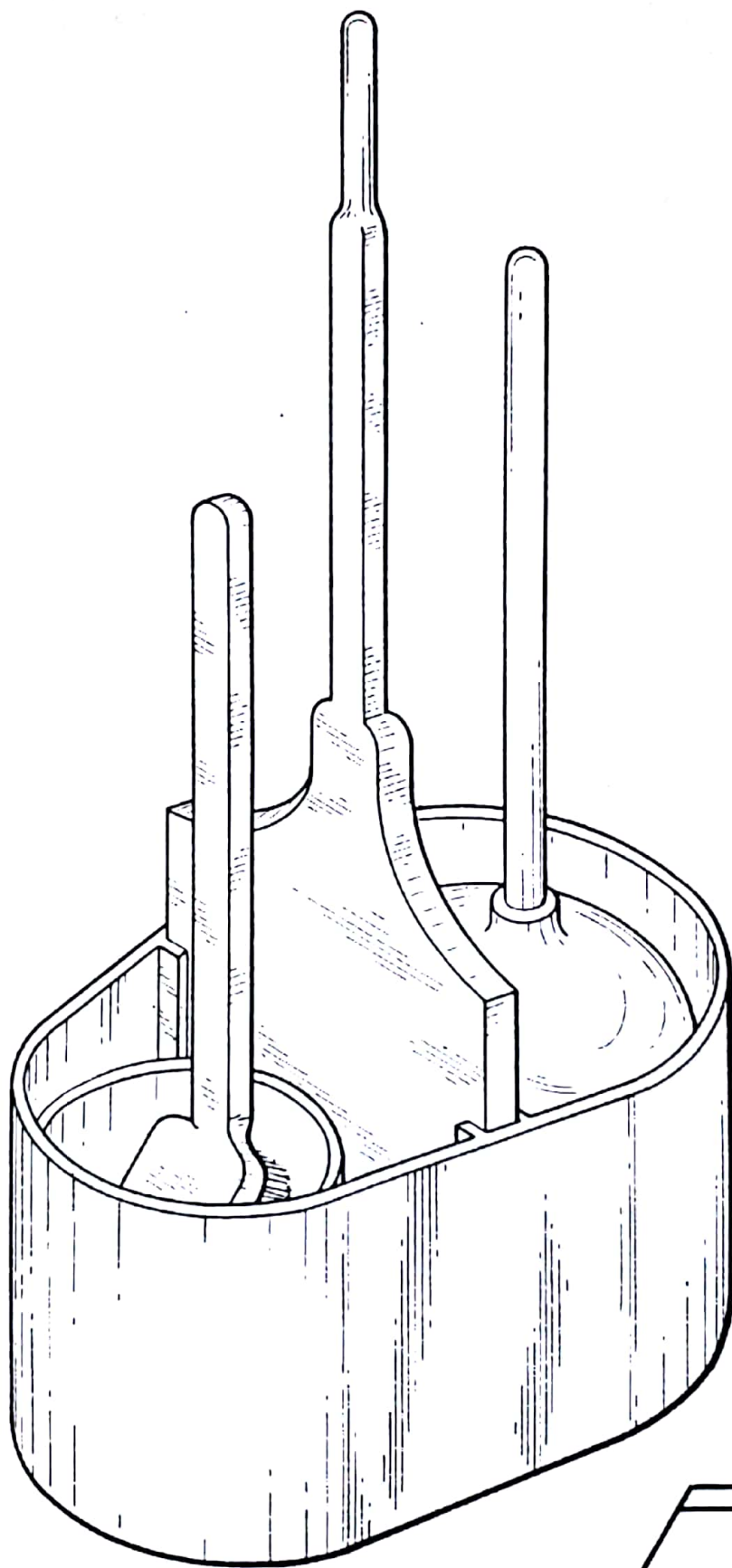


FIG. 1

FIG. 3

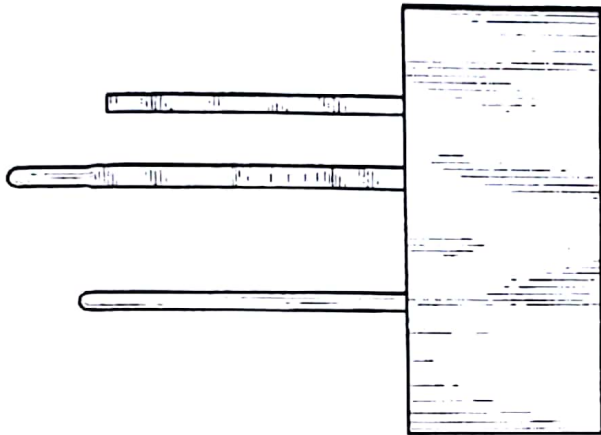


FIG. 5

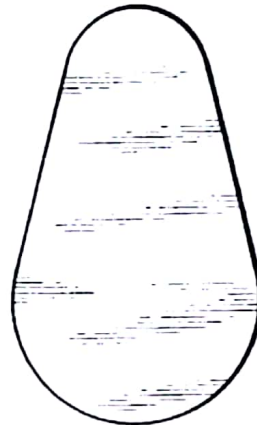


FIG. 2

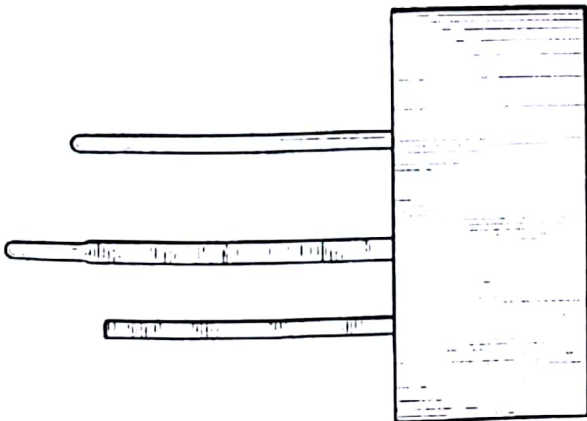


FIG. 4

